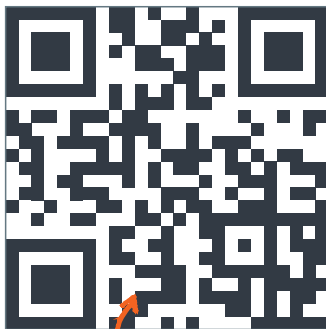
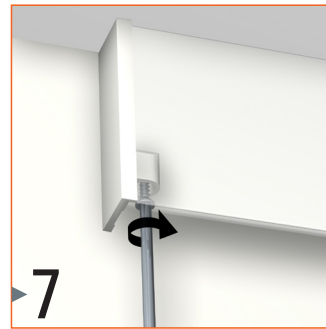
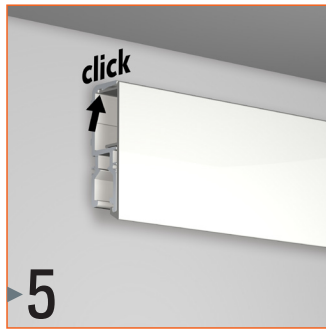
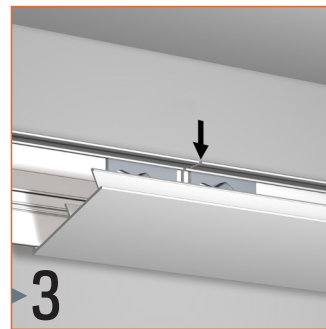
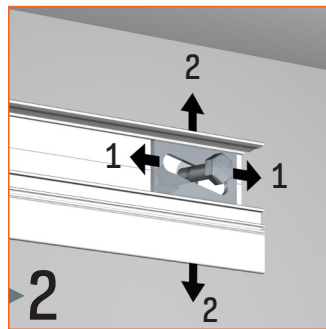
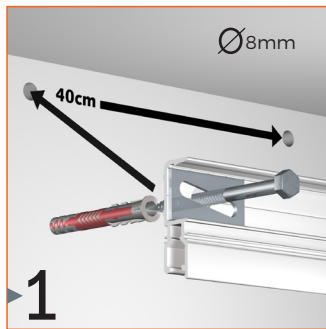


# NEWLY R70 MUSEUM LINE

1 screw / 40cm - 70 kg/m

Wall mounted



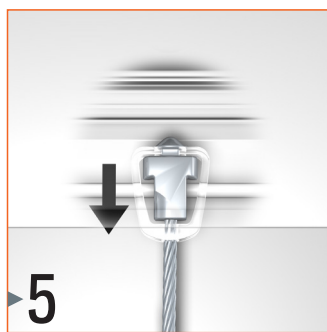
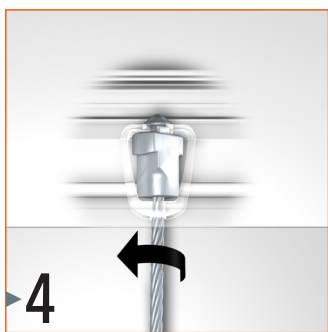
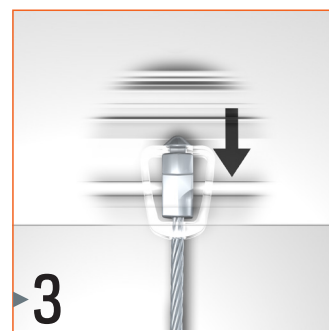
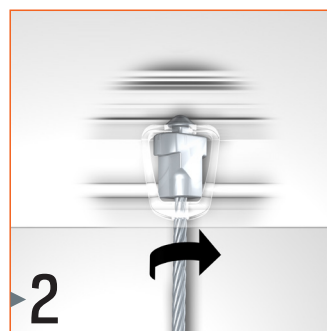
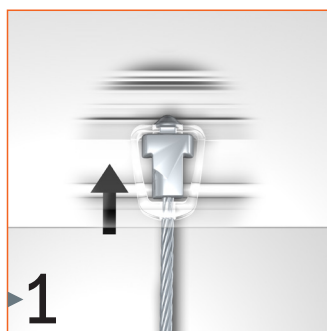
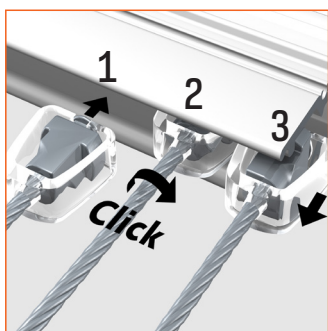
installation  
video



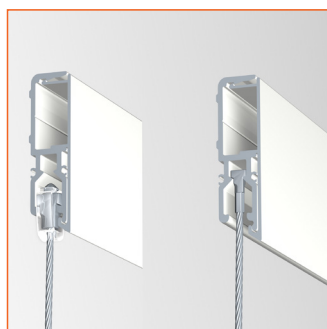
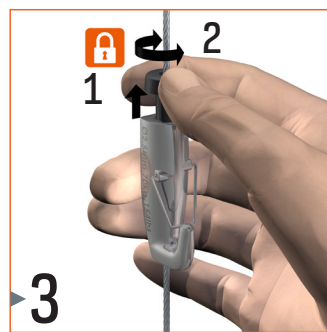
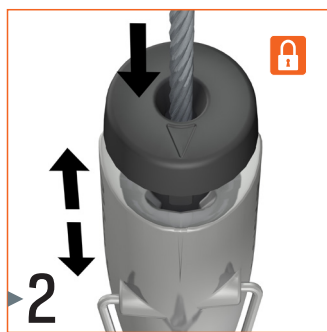
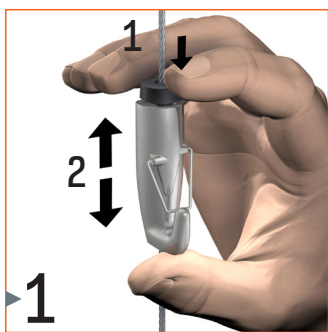
# NEWLY R70 HOOK & WIRE

70 kg/per point

## Newly Steel 2.5mm Twister Lock



## Newly H70 Auto Grip Lock



COMPATIBLE WITH ALL NEWLY HANGING WIRES

# NEWLY

# SAFETY INSTRUCTIONS

01. Max. load steel wire (2.5mm) 70kg and max. load hook 70kg.
02. Max. load rail 70kg/point and 100kg/m (distributed).
03. On a combination of components none of the max. loads shall be exceeded. The lowest max. load is leading.
04. When adjusting the hook (vertical adjustment) or the Twister hanging wire in the rail (horizontal adjustment) the load should be removed or supported.
05. It is recommended to work with at least 2 persons when hanging an object to the hooks.
06. Ensure that the load is applied gradually (no shock loads).
07. Be careful when unrolling a wire. The rigidity of the wire can cause the end to jump. It is recommended to use eye protection.
08. Make sure at least 10cm of wire is under the hook.
09. Do not cut the wires to length. The wire ends are standard burned for stability and to avoid sharp loose filaments. When cut the wire strength will be reduced.
10. The mentioned components are designed and tested to work combined. Do not use the components on other products or on non-Museum Line products.
11. It is recommended to hang objects on 2 wires > especially heavier/larger for stability.
12. When using 2 wires the load has to be equally distributed
13. Max. number of wires per object/frame is 2 (more wires can cause overload on one of the wires and result in failure)
14. When using 2 wires the max. load is 100kg
15. The products shall be used for static loads only.
16. Damaged components should not be used but be replaced.
17. Components that have been subject to an overload (for example a shock load) shall not be used, even if no outer damage is visible. Please replace the components.
18. The rail is compatible with all Newly hanging wires and thus applicable hooks. For use of these hanging wires check their documents/manuals.
19. The rail length should be min. 40cm and be fixed to the wall with at least 2 fixtures.
20. For the specified max. loads for the rail one fixture every 40cm is sufficient.
21. The contractor/constructor/installer is responsible to judge the construction where the rail will be mounted on and to check if the whole installation is according local requirements/regulations. If necessary, the construction should be modified or reinforced. Depending on the construction, use more or alternative suitable fixing materials.
22. The Museum Line products are meant only for the loads of the objects hung to it and shall never be a part of the building structure or be subject to other loads.
23. The products shall only be used for indoor applications under normal indoor climate conditions (10 ... 50°C / 30 ... 70%RH). Do not use the product outdoor or in a chemical or corrosive environment (chloric, salt, acid, etc.).
24. Use the products only for hanging objects/frames on/near walls. Do not use/mount them at positions where people can walk under.